

THE ULTRA UV2 UNIT MAKES NOISE WHEN OPERATING

This is an indication of the Ultra UV2 unit not being properly attached to a firm mounting base of concrete using bolts (not supplied) placed through the mounting holes in the Ultra UV2 unit base. Attach the Ultra UV2 unit correctly to a firm base as described in page 6.

WATER IS DRIPPING FROM THE ELECTRICAL ENCLOSURE COVER

Water exiting the unit through the electrical enclosure cover can be attributed to either (a) a bad quartz tube seal, or (b) a broken or cracked quartz tube. Check the quartz tube seal and quartz tube as instructed in page 6.

SPECIFICATION NOTICE

Due to Paramount's commitment to continual product improvement, all product descriptions or specifications noted herein are subject to change without notice.

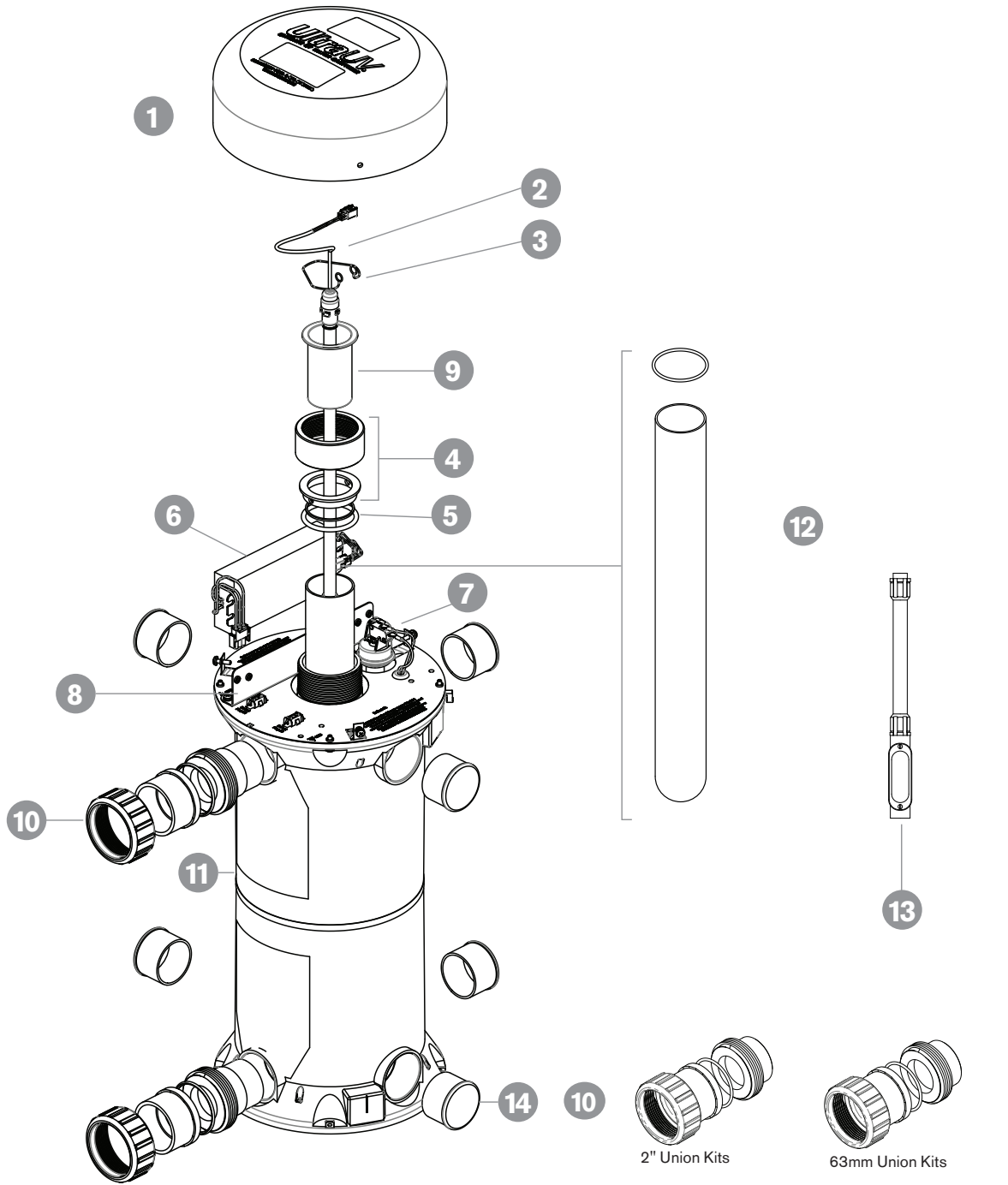
LIMITED WARRANTY

Ultra UV2 water sanitizers are covered under a 2 year Limited Warranty. Go to www.1paramount.com/downloads/warranties/UltraUV2Warranty.pdf to view warranty.

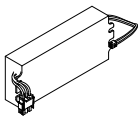
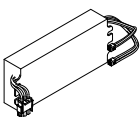
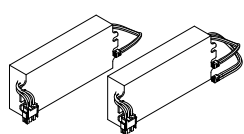
**PROPER INSTALLATION OF THE ULTRA UV2 IS ESSENTIAL.
CONTACT YOUR REGIONAL REPRESENTATIVE. PLEASE FOLLOW ALL LOCAL
CODES AND POOL SAFETY GUIDELINES.**

ULTRA UV2 PART NUMBERS

	Paramount Part#	Description
1	005-422-2009-11	Cover
2	005-422-9017-00	UV Lamp
3		Spring Clip
4	005-422-5102-00	Quartz Tube Sealing Assembly
5	005-422-5103-00	Quartz Tube Seal O-Ring, 3 Pack
6	005-422-9003-00	Program Start Ballast for 1 Lamp
6	005-422-9004-00	Program Start Ballast for 2 Lamps
7	005-422-2009-10	Pressure Switch
8	005-422-9010-00	Ballast Mounting Bracket
9		UV Lamp Holder
10	005-422-2009-06	2" Union Kits
10	005-422-2009-07	63mm Union Kits
11	005-422-3000-00	Replacement Housing
12	005-422-2009-09	Quartz Tube With Seal Kit
13		230V J Box & Flex Conduit
14	005-422-2009-08	2" Blanking Plug
15	005-422-2009-04	Screw Kits
16	004-402-0010-00	Flow Switch 1½" or 2" (Optional)
17	004-421-3824-00	Plug-in, 120v flow switch for 2" pipe (Optional)



Lamp Unit Configurations

- 
 • 1 Lamp unit requires 1 single lamp ballast
- 
 • 2 Lamp unit requires 1 dual lamp ballast
- 
 • 3 Lamp unit requires 1 single lamp ballast 1 dual lamp ballast

