



Relay Bank

Relay Kit for OmniLogic

Owner's Manual

Contents

Description.....	2
Installation.....	2
Configuration.....	4

HLRELAYBANK

Hayward Pool Products
620 Division Street, Elizabeth NJ 07207
www.hayward.com



HAYWARD®

FCC Statement

This device complies with part 15 of the FCC rules. Operation is subject to the following two conditions: (1) This device may not cause harmful interference, and (2) this device must accept any interference received, including interference that may cause undesired operation.

Changes or modifications not expressly approved by Hayward could void the user's authority to operate this equipment.

NOTE: This equipment has been tested and found to comply with the limits for a Class B digital device, pursuant to Part 15 of the FCC Rules. These limits are designed to provide reasonable protection against harmful interference in a residential installation. This equipment generates, uses and can radiate radio frequency energy and, if not installed and used in accordance with the instructions, may cause harmful interference to radio communications. However, there is no guarantee that interference will not occur in a particular installation. If this equipment does cause harmful interference to radio or television reception, which can be determined by turning the equipment off and on, the user is encouraged to try to correct the interference by one or more of the following measures:

- Reorient or relocate the receiving antenna.
- Increase the separation between the equipment and receiver.
- Connect the equipment into an outlet on a circuit different from that to which the receiver is connected.
- Consult the dealer or an experienced radio / TV technician for help.

Industry Canada Statement

This Class B digital apparatus complies with Canadian ICES-003.

Cet appareil numérique de la classe B est conforme à la norme NMB-003 du Canada.

The term "IC" before the certification / registration number only signifies that the Industry Canada technical specifications were met.



HAYWARD®

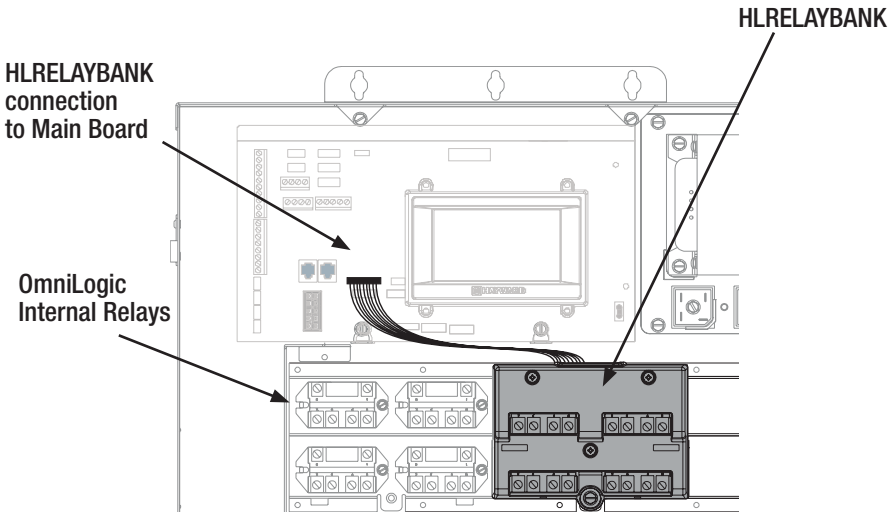
Description

The HLRELAYBANK is a relay kit accessory for all OmniLogic pool controls. It offers four additional high voltage internal relays to control various pool and backyard equipment. After installation, the OmniLogic will detect the HLRELAYBANK and, using the OmniLogic's CONFIGURATION WIZARD, allow you to configure the relays to control your pool and backyard equipment.

RELAY: 3HP/30A at 240V (1½HP/30A at 120V)

Installation

DANGER of Death, Injury or Property Damage if procedure not followed. This accessory connects to the OmniLogic panel beneath the dead front. Dead front removal is required for this installation. Power to the OmniLogic panel **MUST** be shut off before the dead front is removed. This means a complete shutdown of power to the entire OmniLogic panel.



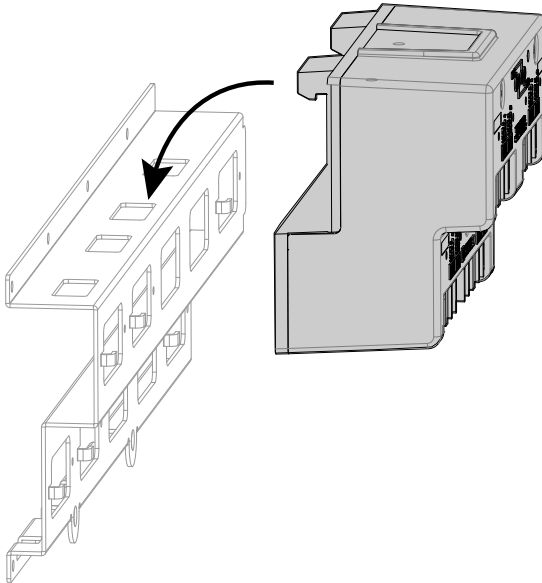


HAYWARD®

Installing the HLRELAYBANK

The HLRELAYBANK has two hooks on the back of its enclosure. These hooks will fit into slots on a rail inside of the OmniLogic as shown below. Once fitted on the rail, a screw will secure the relay bank to the OmniLogic.

1. Ensure that power has been removed to the OmniLogic.
2. Remove the OmniLogic dead front to expose the main board and internal relays.
3. Referring to the installation location shown on page 2. Slide the HLRELAYBANK's hooks into the OmniLogic rail and secure by tightening the bottom screw.
4. Route the wire harness as shown on page 2 and secure the connector into the main board.
5. Replace OmniLogic dead front and turn power on.





Configuration

The OmniLogic will automatically discover the HLRELAYBANK at power up. The four relays will be displayed in the Relay Table located in the OmniLogic's CONFIGURATION WIZARD. The relays will be displayed as "HVR5-HVR8" in the table as shown below.

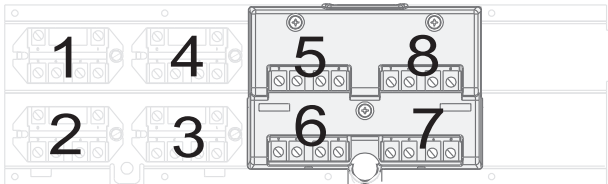
HLRELAYBANK
relays

Select Device

HUA	Device Name	Device Type
0165002921	HVR4	Main Panel
0310000001	HVR5	Relay Bank
0310000001	HVR6	Relay Bank
0310000001	HVR7	Relay Bank
0310000001	HVR8	Relay Bank

SELECT device

Note that the device name in the relay table corresponds to the following relays on the HLRELAY-BANK:



High Voltage Wiring

Refer to the OmniLogic Installation manual for detailed instructions on how to wire and assign relays to your pool's equipment.



HAYWARD®



HAYWARD®

For further information or consumer
technical support, visit our website at
www.hayward.com



Hayward is a registered trademark and OmniLogic is
a trademark of Hayward Industries, Inc. © 2013 Hayward Industries, Inc.

All other trademarks not owned by Hayward are the property of their respective owners.
Hayward is not in any way affiliated with or endorsed by those third parties.

USE ONLY HAYWARD GENUINE REPLACEMENT PARTS