

8. Replacement Parts

8.1. Parts Diagram

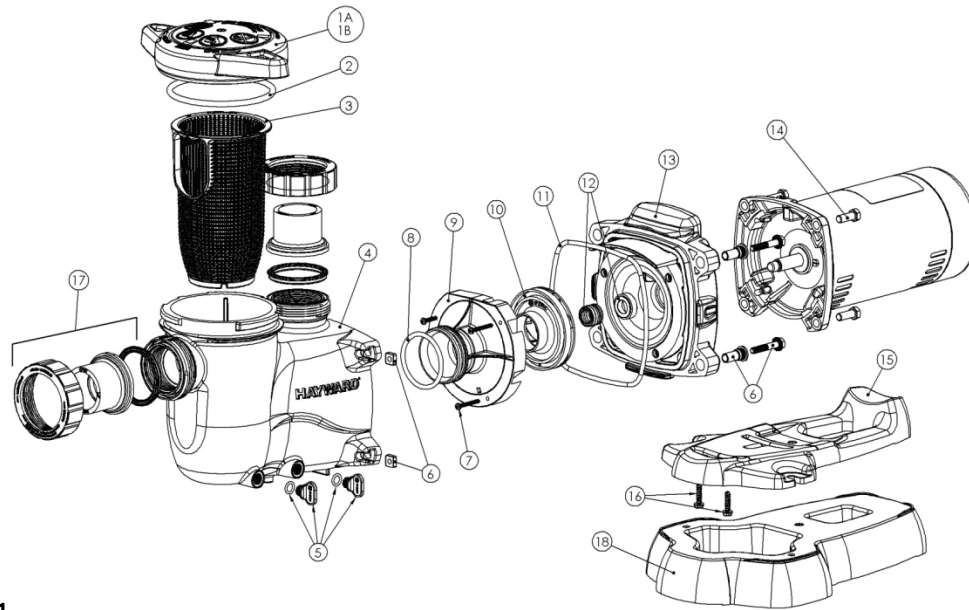


Figure 8.1-1

8.2. Parts Listing

Ref. No.	Part No.	Description	Qty.
1A	SPX2300DLS	Strainer Cover Kit (Includes Strainer Cover, Lock-Ring, O-Ring)	1
1B	SPX2300DLSB	Strainer Cover Kit for Biguanide Sanitizers (Includes Strainer Cover, Lock-Ring, O-Ring) NOT Pressure Testable	1
2	SPX2300Z4	Strainer Cover O-Ring	1
3	SPX2300M	Strainer Basket	1
4	SPX2300AA	Pump Strainer Housing with Drain Plugs	1
5	SPX4000FG	Drain Plug with O-Ring	2
6	SPX2700ZPAK	Hardware Pack (Includes 4 Housing Bolts, Seal-Plate Spacers & Square Nuts)	1
7	SPX2300Z3PAK3	Diffuser Screws (3 Pack)	1
8	SX220Z2	Diffuser O-Ring	1
9	SPX2300B	Diffuser	1
10	SPX2700C	Impeller for ¾ HP Max-Rate Pump	1
	SPX2700CSP	Impeller for Pump model SP2305X7EESP	1
	SPX2707CM	Impeller for 1 HP Max-Rate Pump	1
	SPX2710CM	Impeller for 1 ½ HP Max-Rate Pump	1
	SPX2715CM	Impeller for 2 HP Max-Rate Pump	1
11	GMX600F	Housing O-Ring	1
12	SPX2700SA	Shaft Seal Assembly	1
13	SPX2300E	Seal Plate	1
14	SPX3200Z5PAK4	Motor Bolt (4 Pack)	1
15	SPX2300G	Motor Support with Base Mount Screws	1
16	SPX1600Z52	Motor Support Base Mount Screws	1
17	SPX2700UNKIT	Union Connector Kit (Includes 2 Nuts, Connectors, Gaskets)	1
	OPTIONAL		
18	SPX2300GR	Optional Riser Base Aligns with Sta-Rite® Dyna-Pro®	1



HAYWARD®

Ref. No.	Part No.	Description	Qty.
	MOTORS		
	SPX2705Z1M	Motor, 3/4 HP, Threaded Shaft (Single Phase, 60 Cycle 115V/208-230V)	1
	SPX2705Z1ME	Motor, 3/4 HP, Energy Eff. Threaded Shaft (Single Phase, 60 Cycle 115/208-230V)	1
	SPX2707Z1M	Motor, 1 HP, Threaded Shaft (Single Phase, 60 Cycle 115/208-230V)	1
	SPX2710Z1M	Motor, 1-1/2 HP, Threaded Shaft (Single Phase, 60 Cycle 115/208-230V)	1
	SPX2715Z1ME	Motor, 2 HP, Energy Eff., Threaded Shaft (Single Phase, 60 Cycle 115/208-230V)	1
	SPX2707Z2M	Motor, 1 HP, Two Speed, Threaded Shaft (Single Phase, 60 Cycle 230V)	1
	SPX2710Z2M	Motor, 1-1/2 HP, Two Speed, Threaded Shaft (Single Phase, 60 Cycle 230V)	1
	SPX2715Z2M	Motor, 2 HP, Two Speed, Threaded Shaft (Single Phase, 60 Cycle 230V)	1