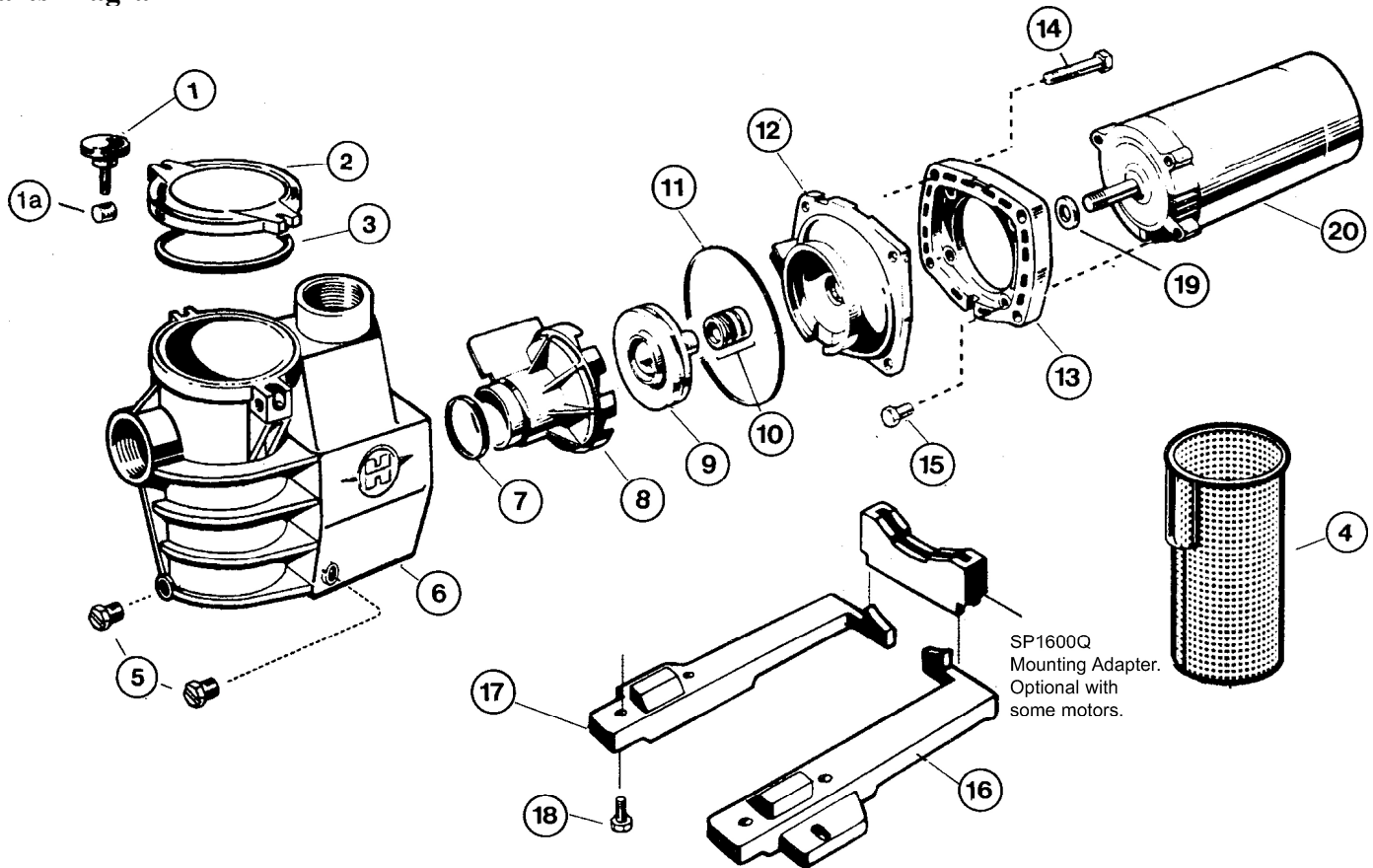


Replacement Parts

Parts Diagram



Parts Listing

REF. NO.	DESCRIPTION	NO. REQ'D.	PART NUMBER				
			MODEL SP2805X7	MODEL SP2807X10	MODEL SP2810X15	MODEL SP2815X20	MODEL SP2810X152
1	HAND KNOB	2	SPX1600P	SPX1600P	SPX1600P	SPX1600P	SPX1600P
1a	SWIVEL NUT	2	SPX1600N	SPX1600N	SPX1600N	SPX1600N	SPX1600N
2	STRAINER COVER	1	SPX1250L	SPX1250L	SPX1250L	SPX1250L	SPX1250L
3	STRAINER COVER GASKET	1	SPX125T	SPX125T	SPX125T	SPX125T	SPX125T
4	BASKET	1	SPX2800M	SPX2800M	SPX2800M	SPX2800M	SPX2800M
5	DRAIN PLUG W/ GASKET	2	SPX1700FG	SPX1700FG	SPX1700FG	SPX1700FG	SPX1700FG
6	PUMP/STRAINER HOUSING	1	SPX2800AA	SPX2800AA	SPX2800AA	SPX2800AA	SPX2800AA
7	DIFFUSER GASKET	1	SPX1600R	SPX1600R	SPX1600R	SPX1600R	SPX1600R
8	DIFFUSER	1	SPX2800B	SPX2800B	SPX2800B	SPX2800B	SPX2800B
9	IMPELLER	1	SPX2605C	SPX2607C	SPX2610C	SPX2615C	SPX2610C
10	SEAL ASSEMBLY	1	SPX1600Z2	SPX1600Z2	SPX1600Z2	SPX1600Z2	SPX1600Z2
11	HOUSING GASKET	1	SPX1600T	SPX1600T	SPX1600T	SPX1600T	SPX1600T
12	SEAL PLATE	1	SPX2600E	SPX2600E	SPX2600E	SPX2600E	SPX2600E
13	MOTOR MOUNTING PLATE	1	SPX1600F	SPX1600F	SPX1600F	SPX1600F	SPX1600F
14	HOUSING CAP SCREW	4	SPX1600Z4	SPX1600Z4	SPX1600Z4	SPX1600Z4	SPX1600Z4
15	MOTOR CAP SCREW	4	SPX125Z4	SPX125Z4	SPX125Z4	SPX125Z4	SPX125Z4
16	MOUNTING FOOT (LEFT)	1	SPX1600G	SPX1600G	SPX1600G	SPX1600G	SPX1600G
17	MOUNTING FOOT (RIGHT)	1	SPX1600J	SPX1600J	SPX1600J	SPX1600J	SPX1600J
18	MOUNTING FOOT CAP SCREW	2	SPX1600Z5	SPX1600Z5	SPX1600Z5	SPX1600Z5	SPX1600Z5
19	SLINGER	1	SPX0125F	SPX0125F	SPX0125F	SPX0125F	SPX0125F
20	MOTOR-60 CYCLE SINGLE PHASE	1	SPX1605Z1M	SPX1607Z1M	SPX1610Z1M	SPX1615Z1M	SPX1610Z2M

USE ONLY HAYWARD GENUINE REPLACEMENT PARTS